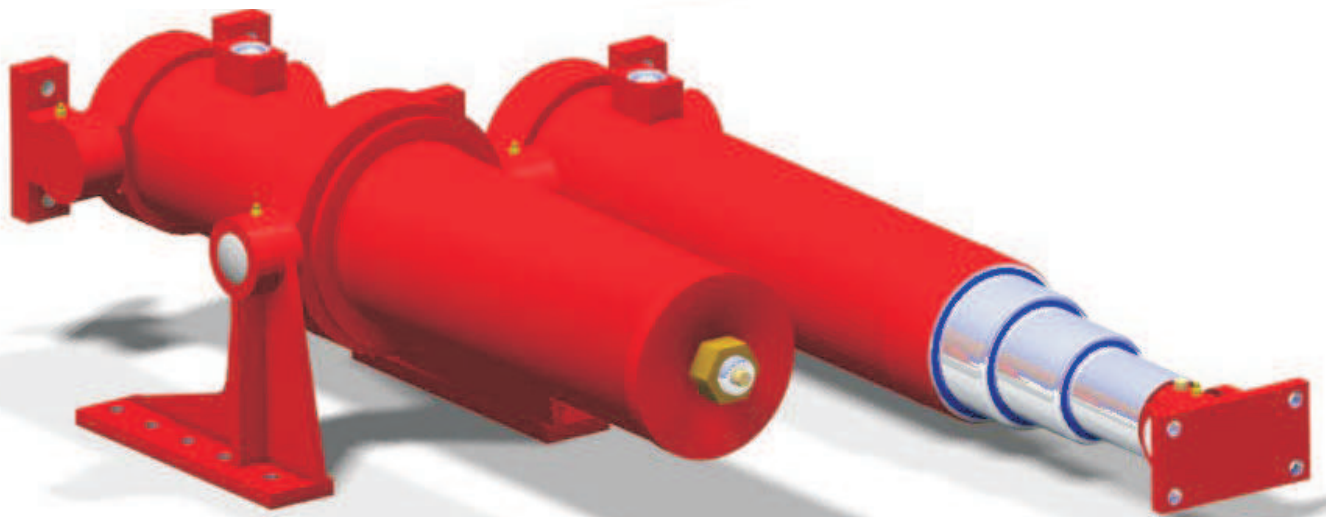




DELHOIST
SERIES 2000

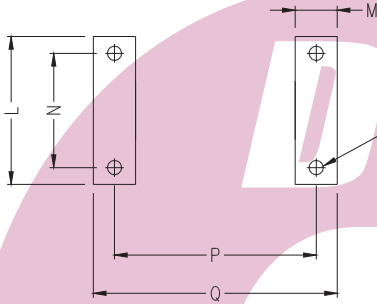
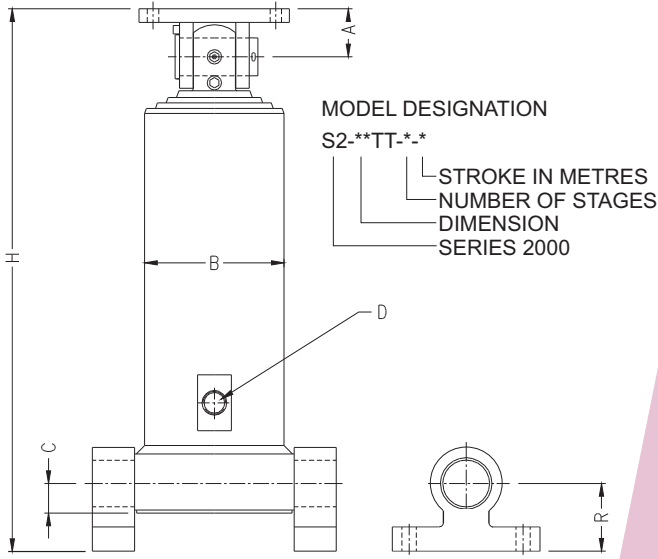
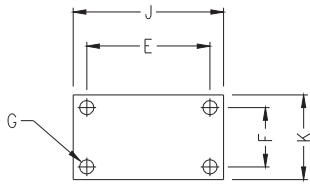


DELTA HYDRAULICS PTY LTD
MANUFACTURING HYDRAULIC ENGINEERS

177-199 Stoney Rise Rd
Devonport 7310
Tasmania

Phone: (03) 6420 6900
Fax: (03) 6424 6983
Website: www.dh.au.com
e-mail: jfwhite@dh.au.com

TT SERIES



		MODEL								
		35TT	45TT	55TT	65TT	77TT 3 Stg	77TT 4 Stg	87TT 4 stg	87TT 5 stg	97TT
STANDARD DIMENSIONS	A	40	40	49	57	69	57	69	57	69
	B	89	114	140	165	197	197	223	223	248
	C	27	30	33	35	35	35	45	45	45
	E	85	85	146	146	184	146	184	146	184
	F	85	85	70	70	95	70	95	70	95
	G	M12	M12	M12	M12	M16	M12	M16	M12	M16
	J	117	117	178	178	216	178	216	178	216
	K	117	117	100	100	130	100	130	100	130
	L	130	140	150	155	215	215	220	220	275
	M	50	50	50	50	70	70	80	80	80
	N	95	105	110	115	165	165	165	165	216
	P	154	188	212	242	305	305	343	343	379
	Q	204	238	265	290	375	375	420	420	450
R	56	65	70	80	90	90	110	110	115	
S	14	14	17	17	20	20	20	20	26	

PORT SIZE 'D' - 35TT, 45TT, 55TT, 65TT = 1 1/16" UNO
 - 77TT, 87TT, 97TT = 1 5/16" UNO

Standard Features

- All stages hard chrome plated for greater life.
- All stages top sealing using technologically advanced twin lip seal.
- New "Flapped" wiper eliminates moisture entry into cylinder.
- No gland nuts or base plug to come loose or jam.
- Clip in base for ease of assembly and servicing.
- 21 Mpa (3000 psi) max. operating pressure on 35's to 77's. Normal operating pressure 17.5 Mpa (2500 psi).
- 17.5 Mpa (2500 psi) max. operating pressure on 87's and 97's.
- Tipping capacities calculated at 17.5 Mpa (2500 psi)
- Bleed plug on top of cylinder.

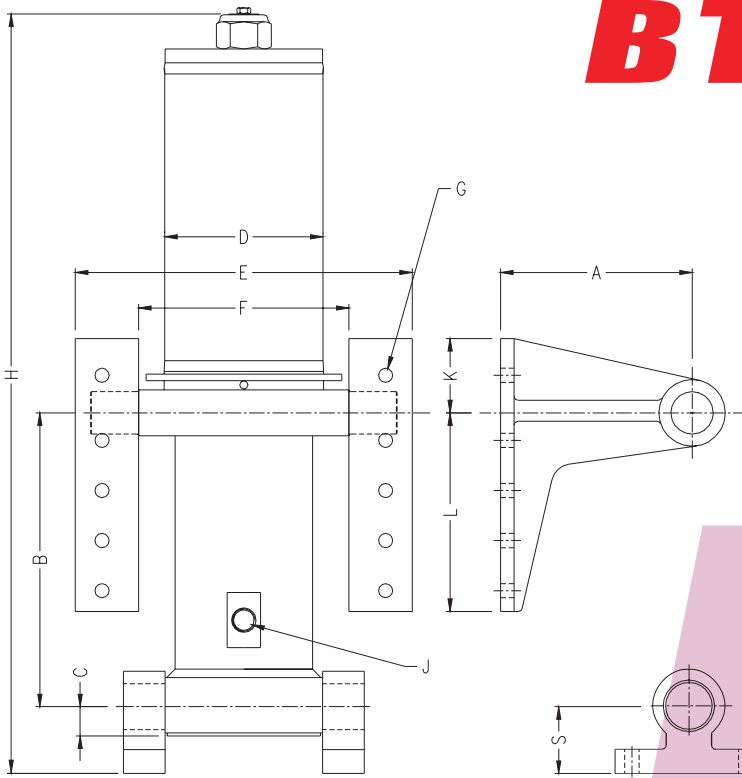
Options

- Low profile footmounts
- Raised trunnion
- Bore sealed on last stage
- Double acting on last stage

MODEL	Ram Stroke mm	Tipping Capacity 48°	Pivot Length mm	Swept Volume litres	Ram Mass kg	Height H mm
S2-35TT-2-2.3	2300	7.3 t	2920	7	48	1484
S2-35TT-2-2.7	2700	7.3 t	3430	8	53	1684
S2-45TT-3-3.0	3000	7.7 t	3780	12	66	1347
S2-45TT-3-3.7	3700	7.7 t	4660	15	76	1580
S2-55TT-2-2.45	2450	20 t	3110	24	101	1600
S2-55TT-3-2.65	2650	20 t	3340	22	93	1254
S2-55TT-3-2.85	2850	20 t	3590	24	98	1321
S2-55TT-3-3.0	3000	20 t	3780	25	101	1371
S2-55TT-3-3.26	3260	20 t	4110	27	107	1457
S2-55TT-3-3.6	3600	20 t	4540	30	114	1571
S2-55TT-3-3.8	3800	20 t	4790	31	118	1637
S2-55TT-3-4.0	4000	20 t	5040	33	123	1704
S2-55TT-3-4.2	4200	20 t	5290	35	127	1771
S2-55TT-3-4.7	4700	20 t	5920	39	138	1937
S2-55TT-4-4.7	4700	14 t	5900	33	123	1548
S2-65TT-3-2.65	2650	30 t	3340	31	114	1269
S2-65TT-3-2.85	2850	30 t	3590	33	120	1336
S2-65TT-3-3.0	3000	30 t	3780	35	123	1386
S2-65TT-3-3.15	3150	30 t	3970	37	127	1436
S2-65TT-3-3.3	3300	30 t	4160	38	131	1486
S2-65TT-3-3.45	3450	30 t	4350	40	135	1536
S2-65TT-3-3.7	3700	30 t	4660	43	142	1619
S2-65TT-3-3.84	3840	30 t	4840	45	145	1666
S2-65TT-4-3.88	3885	21 t	4880	39	133	1352
S2-65TT-3-4.0	4000	30 t	5040	46	150	1719
S2-65TT-3-4.2	4200	30 t	5290	49	155	1786
S2-65TT-4-4.28	4285	21 t	5380	43	142	1463
S2-65TT-3-4.6	4600	30 t	5800	53	165	1919

MODEL	Ram Stroke mm	Tipping Capacity 48°	Pivot Length mm	Swept Volume litres	Ram Mass kg	Height H mm
S2-65TT-4-4.68	4685	21 t	5880	47	151	1563
S2-65TT-4-5.00	5000	21 t	6280	50	158	1642
S2-65TT-4-5.20	5200	21 t	6530	52	163	1692
S2-65TT-4-5.60	5600	21 t	7030	56	172	1792
S2-77TT-3-3.36	3360	43 t	4230	54	192	1543
S2-77TT-3-3.8	3800	43 t	4780	61	208	1689
S2-77TT-3-4.2	4200	43 t	5290	67	222	1823
S2-77TT-3-4.44	4440	43 t	5590	71	231	1889
S2-77TT-4-4.54	4545	32 t	5700	64	208	1536
S2-77TT-4-5.06	5065	32 t	6350	71	224	1666
S2-77TT-4-5.6	5600	32 t	7020	79	240	1800
S2-77TT-4-5.9	5900	32 t	7400	83	249	1875
S2-77TT-4-6.1	6100	32 t	7650	86	255	1925
S2-87TT-4-4.95	4955	45 t	6220	95	275	1690
S2-87TT-4-5.87	5875	45 t	7370	112	308	1920
S2-87TT-4-6.27	6275	45 t	7880	120	322	2020
S2-87TT-4-6.4	6400	45 t	8030	122	327	2056
S2-87TT-5-6.352	6352	33 t	7940	107	300	1699
S2-87TT-4-6.9	6900	45 t	8660	132	345	2177
S2-87TT-4-7.2	7200	45 t	9040	138	357	2252
S2-87TT-4-7.6	7600	45 t	9540	145	372	2363
S2-97TT-4-5.94	5945	60 t	7450	151	355	1942
S2-97TT-4-6.34	6345	60 t	7950	161	371	2042
S2-97TT-5-6.352	6352	46 t	7940	143	345	1730
S2-97TT-5-6.900	6900	46 t	8620	156	365	1840
S2-97TT-4-7.3	7300	60 t	9150	186	411	2287
S2-97TT-4-7.7	7700	60 t	9700	198	433	2421

BT SERIES



	MODEL						
	35BT	45BT	55BT	65BT	77BT	87BT	97BT
A	112	140	178	230	230	230	250
B	213	257	343	343	343	343	343
C	27	30	33	35	35	45	45
D	114	135	159	190	215	260	272
E	280	302	346	405	457	498	595
F	150	172	216	253	305	348	395
G	13.5	13.5	17	17	17	21	21
K	50	75	89	89	121	121	120
L	130	225	236	238	241	241	298
M	130	140	150	155	215	220	275
N	50	50	50	50	70	80	80
P	95	105	110	115	165	165	216
Q	154	188	212	242	305	342	380
R	204	238	265	290	375	420	450
S	56	65	70	80	90	110	115
T	14	14	17	17	20	20	26

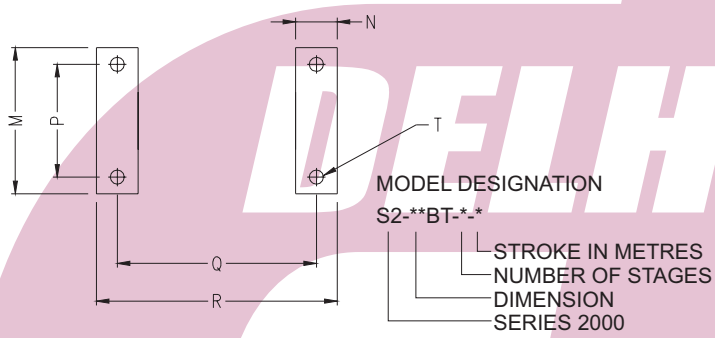
PORT SIZE 'J' - 35BT, 45BT, 55BT, 65BT = 1 1/16" UNO
 - 77BT, 87BT & 97BT = 1 5/16" UNO

Standard Features

- All stages hard chrome plated for greater life.
- All stages top sealing using technologically advanced twin lip seal.
- New "Flapped" wiper eliminates moisture entry into cylinder.
- No gland nuts or base plug to come loose or jam.
- Clip in base for ease of assembly and servicing.
- 21 Mpa (3000 psi) max. operating pressure on 35's to 77's. Normal operating pressure 17.5Mpa (2500 psi)
- 17.5 Mpa (2500 psi) max. operating pressure on 87's and 97's.
- Tipping capacities calculated at 17.5 Mpa (2500 psi)
- Bleed plug on top of cylinder.

Options

- Low profile footmounts
- Raised trunnion
- Bore sealed on last stage
- Double acting on last stage



MODEL	Ram Stroke mm	Tipping Capacity 48°	Pivot Length mm	Swept Volume litres	Ram Mass kg	Height H mm
S2-35BT-2-2.3	2300	7.5 t	2850	7	65	1462
S2-35BT-2-2.7	2700	7.5 t	3340	8	71	1662
S2-45BT-3-3.0	3000	8.0 t	3710	12	90	1325
S2-45BT-3-3.3	3300	8.0 t	4080	13	95	1425
S2-45BT-3-3.7	3700	8.0 t	4570	15	102	1558
S2-55BT-3-2.75	2750	20 t	3410	23	128	1267
S2-55BT-3-3.0	3000	20 t	3720	25	135	1350
S2-55BT-3-3.26	3260	20 t	4040	27	142	1437
S2-55BT-3-3.6	3600	20 t	4460	30	150	1550
S2-55BT-3-3.7	3700	20 t	4580	31	153	1583
S2-55BT-3-4.0	4000	20 t	4950	33	161	1683
S2-55BT-3-4.2	4200	20 t	5200	35	166	1750
S2-55BT-3-4.6	4600	20 t	5690	38	176	1883
S2-55BT-3-5.0	5000	20 t	6180	41	187	2023
S2-55BT-4-4.7	4700	15 t	5810	33	159	1530
S2-65BT-3-2.65	2650	30 t	3290	31	157	1243
S2-65BT-3-2.85	2850	30 t	3540	33	163	1310
S2-65BT-3-3.0	3000	30 t	3720	35	167	1360
S2-65BT-3-3.15	3150	30 t	3910	37	172	1410
S2-65BT-3-3.45	3450	30 t	4270	40	181	1510
S2-65BT-3-3.7	3700	30 t	4580	43	189	1593
S2-65BT-3-4.0	4000	30 t	4950	46	198	1693
S2-65BT-3-4.2	4200	30 t	5200	49	204	1760
S2-65BT-4-4.28	4285	20 t	5300	43	188	1435
S2-65BT-4-4.68	4685	20 t	5790	47	198	1535
S2-65BT-4-5.0	5000	20 t	6180	50	207	1614
S2-65BT-4-5.2	5200	20 t	6430	52	212	1664
S2-65BT-4-5.6	5600	20 t	6920	56	222	1764

MODEL	Ram Stroke mm	Tipping Capacity 48°	Pivot Length mm	Swept Volume litres	Ram Mass kg	Height H mm
S2-65BT-4-6.0	6000	20 t	7410	60	234	1872
S2-77BT-3-3.4	3400	43 t	4210	54	257	1518
S2-77BT-3-4.0	4000	43 t	4950	64	283	1718
S2-77BT-3-4.2	4200	43 t	5200	67	291	1785
S2-77BT-4-4.54	4545	32 t	5620	64	275	1524
S2-77BT-4-5.06	5065	32 t	6260	71	294	1654
S2-77BT-4-5.4	5400	32 t	6670	76	306	1738
S2-77BT-4-6.0	6000	32 t	7410	84	328	1888
S2-77BT-4-6.3	6300	32 t	7780	88	339	1966
S2-77BT-5-6.555	6555	32 t	8090	80	318	1703
S2-77BT-4-7.0	7000	32 t	8640	98	366	2155
S2-87BT-5-5.59	5595	33 t	6910	94	369	1536
S2-87BT-4-5.87	5870	45 t	7250	112	409	1880
S2-87BT-4-6.25	6250	45 t	7720	119	425	1975
S2-87BT-4-6.27	6270	45 t	7740	120	426	1980
S2-87BT-5-6.352	6352	33 t	7840	107	397	1687
S2-87BT-4-6.4	6400	45 t	7900	122	431	2013
S2-87BT-4-6.8	6800	45 t	8390	130	448	2113
S2-87BT-4-7.25	7250	45 t	8950	139	467	2231
S2-87BT-5-7.39	7395	33 t	9120	125	436	1904
S2-87BT-5-8.39	8395	33 t	10350	142	475	2120
S2-97BT-3-7.00	7000	70 t	8650	202	650	2782
S2-97BT-4-10.0	10000	60 t	12420	254	736	2949